

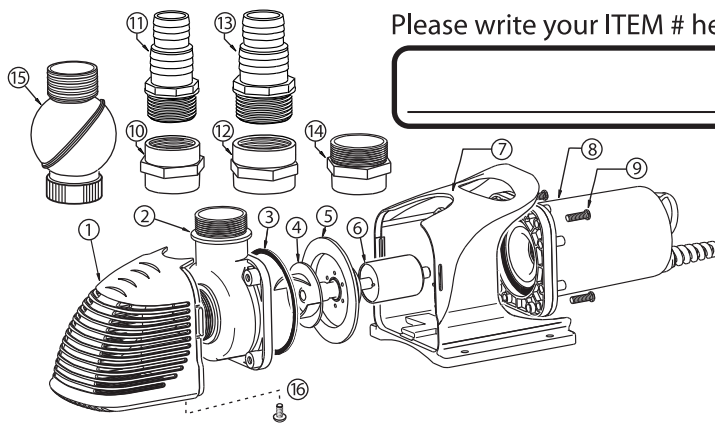
## Troubleshooting:

Problem	Possible Cause	Solution
Pump stops working or runs slow	Bad Power supply	Check all power connections, GFCI and circuit breakers. Test using a different power source.
	Internal Thermal Protector enabled	Unplug and allow Pump to cool 30 minutes. Check if Pump is clogged before restarting.
	Impeller is locked with debris	Disconnect power and use a pencil eraser to see if Impeller can be turned. If not, perform impeller maintenance.
	Too much debris, Intake clogged	Disconnect power and remove the obstruction. Use a Pondmaster Pump Bag to reduce future clogging.
	Air trapped in impeller chamber.	Turn off Motor and restart after a few seconds. Repeat three times.
	Impeller worn out	Replace with a new Impeller.
Pump will not prime.	Pump design is NOT self-priming	Position Pump below water level or fill hose with water and re-start.
Pump loses prime	Air leak	Check intake tubing and connections then repair air leak.
	Power interruption	Use a Check Valve to avoid losing prime when power is interrupted.

## PARTS LIST for Pond & Waterfall Pumps

Model	1900	2550	4850	6100	6600
Item #	20210	20215	20220	20225	20230

#	Description
1	Intake Strainer
2	Motor Cover
3	Rubber Seal
4	Impeller
5	Impeller Plate
6	Rotor
7	Motor Support / Handle
8	Motor
9	Screws
10	1.5" Connector
11	2 Step 1.5" Barbed Connector
12	2" Connector
13	2 Step 2" Barbed Connector
14	2" to 1.5" Reducer
15	1.5" Directional Coupling
16	Motor Cover Screw



NOTE: Parts vary on different models. When referencing pump parts you must refer to the ITEM # of your pump from pump label.

Please write your ITEM # here:

## LIMITED WARRANTY

E.G. Danner Mfg. Inc. will repair or replace any unit found to be defective within one year of original purchase. Cutting or altering cord removing or defacing product labels voids any warranty consideration. For warranty repair return only the part that is defective to our factory. Please include a dated proof of purchase and \$10.00 for postage and handling. Damages or injuries resulting from negligence, shipping, handling, improper installation, maintenance or misuse of the product are not covered by warranty. This warranty gives you specific legal rights. You may have other rights which vary from state to state.

To validate this warranty keep your proof of purchase (Copy of sales receipt).

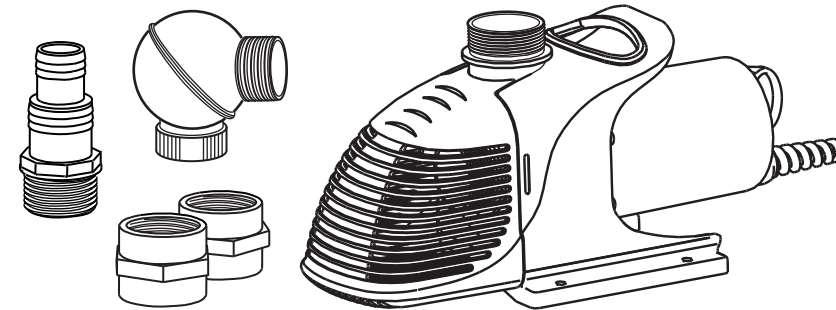
# PONDMASTER®

**SAVE THESE INSTRUCTIONS**

## Pond and Fountain Pump with HY-Drive Technology

### CARE AND OPERATING INSTRUCTIONS

MODELS	ITEM#
WFP1900	20210
WFP2550	20215
WFP4850	20220
WFP6100	20225
WFP6600	20230



**WARNING!** PONDS ARE DANGEROUS TO SMALL CHILDREN!  
NEVER LEAVE CHILDREN UNSUPERVISED NEAR A POND.

Thank you for purchasing this Pondmaster product. This Continuous Duty Pump is designed to move large volumes of water silently and efficiently through filtration systems or to a waterfall, stream or fountain. It incorporates a single-phase capacitor asynchronous motor, a high efficiency vortex Impeller in conjunction with a ceramic impeller shaft and bearings to save energy while maintaining high output.

This Pump can be used immersed or inline. Note that when used inline it should be placed below the water level since it is not self-priming. Never run this Pump dry.



### WARNING

### RISK OF ELECTRIC SHOCK

This pump is supplied with a grounding conductor and grounding type attachment plug. NEVER REMOVE GROUND PIN FROM PLUG. To reduce the risk of electric shock, be certain that it is connected only to properly grounded, grounding-type receptacle. The national Electric Code requires that a ground fault interrupter circuit (GFCI) be installed in every branch circuit supplying the fountain or pond equipment. Your dealer can supply GFCI units.

Do not immerse the plug in water. DO NOT REACH INTO THE WATER TO REMOVE THE PLUG. TURN OFF CIRCUIT FIRST. A "drip loop" in the cords should be used. A "drip loop" is a loop in the cord below the level of the receptacle or plug that prevents water from traveling along the cord.

**WARNING: FOR YOUR PROTECTION, ALWAYS UNPLUG THE UNIT FROM ITS POWER SOURCE BEFORE INSTALLING OR SERVICING. DO NOT REACH, REMOVE OR DISASSEMBLE BEFORE YOU DISCONNECT POWER.**

## OPERATION PRECAUTIONS

- Never run Pump dry.
- Only use this Pump with clean water. It is not intended to move water containing large non-dissolved solids. Never use Pump for liquids other than water.
- Do not place directly into silt or sand. Seat on a flat solid surface or mount using mounting holes on Motor Support / Handle.
- Do not use in hot water over 40 degrees C.
- Do not touch Impeller if Pump is plugged in. Thermal Protector may have temporarily turned off Motor, which will turn back on after cooling.
- Never use Pump if power cord is cut or damaged in any way. Cord can not be changed. If damaged, Pump must be discarded.
- If motor is clogged, disconnect power to prevent damage to Pump until it can be serviced.

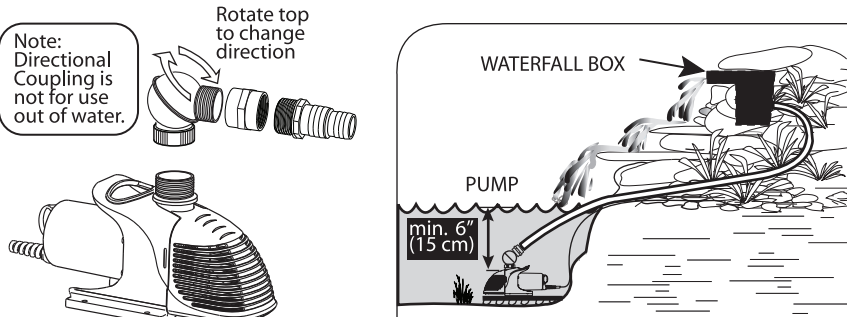
## OPERATING INSTRUCTIONS

Pump can be used either **IMMERSED** or **IN-LINE**

For all installations: Make certain that all electrical connections have a GFCI installed. Always use Teflon tape on hose fittings. This will aid in future disassembly.

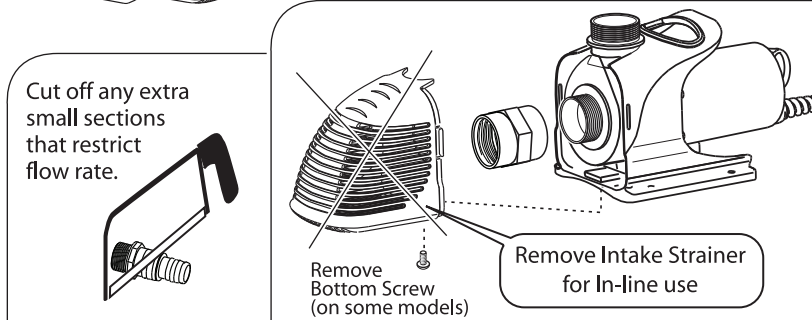
### Immersed Application:

Protect the intake from leaves and other debris getting drawn into the Impeller by using a separate Pump Bag or by placing Pump into a Skimmer or Pump Vault. Minimum depth from top is 6" (15 cm) to prevent air from getting drawn in.



### In-line Application:

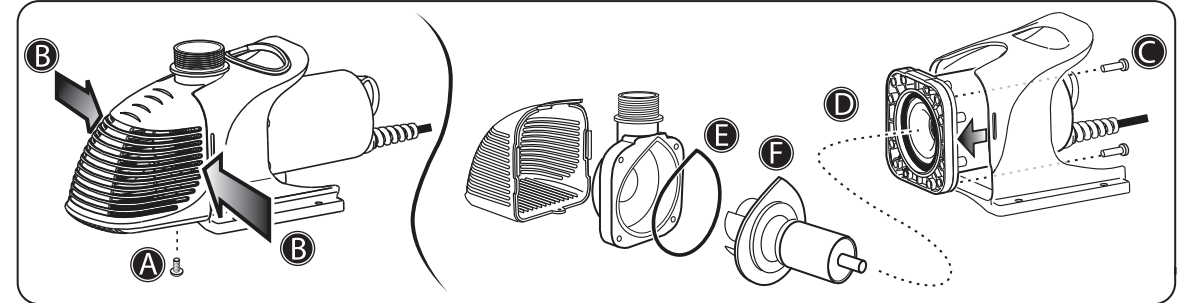
Remove Intake Strainer to connect to Pump inlet. Place Pump below water level, otherwise it will be necessary to prime it. To prime Pump, hoses must be filled with water before activating Pump.



A separate in-line check valve or foot valve is strongly recommended to prevent loss of prime if power is interrupted.

## MAINTENANCE:

This Pump does not require any lubrication or special maintenance. Periodically cleaning the impeller will maintain Pump performance and extend Pump life.



- 1) Completely disconnect Pump from power supply.
- 2) Remove hoses and bring Pump to clear work area.
- 3) To remove Intake Strainer, unscrew bottom screw (if included with your Pump model) **A**. Press sides in to release side hooks and slide off Intake Strainer **B**.
- 4) Remove 4 screws **C** to detach Motor from Motor Support /Handle and Motor Cover.
- 5) Pull the Impeller out from the chamber **D**.
- 6) Clean impeller and Intake Strainer with fresh water only, never any solvents.
- 7) Reverse steps to reassemble. If rubber seal **E** becomes dislodged, make certain it is clean and place it back into the recess on the Motor housing.
- 8) Align the Impeller plate **F** with the recess in the Motor Cover before inserting Rotor back into Motor.

## WINTERIZATION and STORAGE

If Pump is used outdoors in areas with harsh winters the Pump should be removed from shallow water that may freeze. Either place Pump into deep water or if Pump is removed, it must be cleaned with plain water and dried before being put into storage.

If Pump will be turned off for long periods of time and left under the water in non-freezing areas, debris may accumulate inside the pump. Before reinstallation Pump should be flushed with clean water. It may be necessary to perform an Impeller maintenance to thoroughly clean the Impeller and chamber.

## PUMP CHART

HY-DRIVE MODEL	ITEM #	WATTS / 0'	AMPS	GALLONS PER HOUR											SHUTOFF HEIGHT (FT)	SHUTOFF WATTS	
				0'	1'	3'	5'	7'	10'	15'	20'	25'	30'				
WFP 1900	20210	93	.78	1910	1710	1325	870	555								10	90
WFP 2550	20215	147	1.25	2505	2380	2010	1490	1045	455							11.5	135
WFP 4850	20220	328	2.76	4850	4725	4300	3700	3050	2225	1550	300					22.5	300
WFP 6100	20225	520	4.39	6100	5750	4725	4175	3450	2400	1625	850	250				28	425
WFP 6600	20230	593	4.94	6625	6600	6275	5500	4925	4325	3325	2425	1850	550			30.5	445